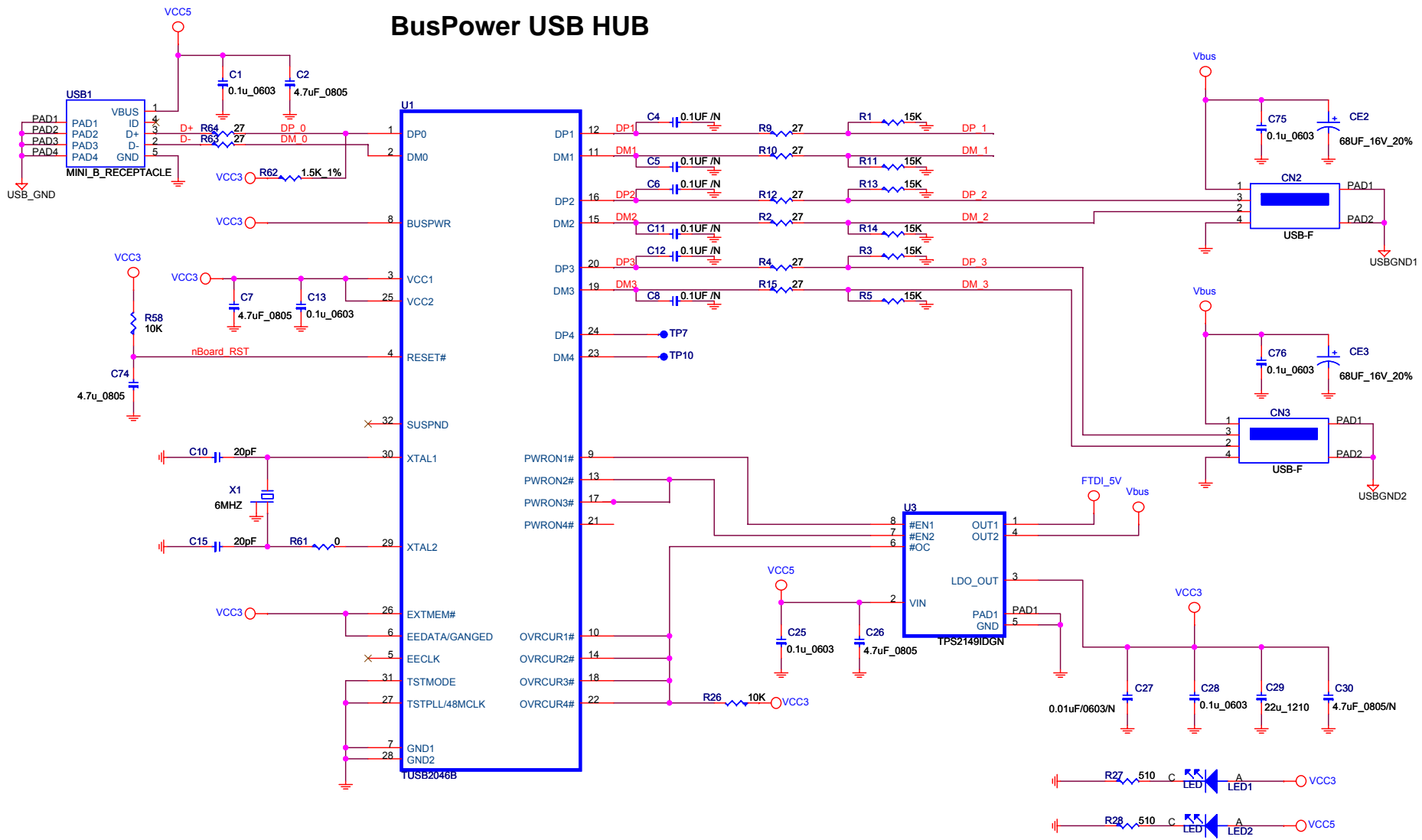
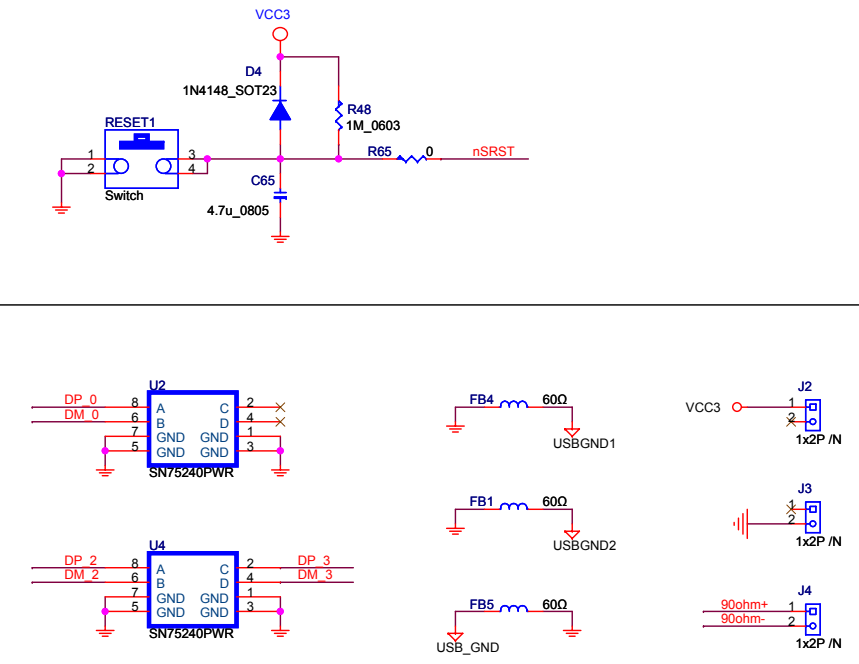


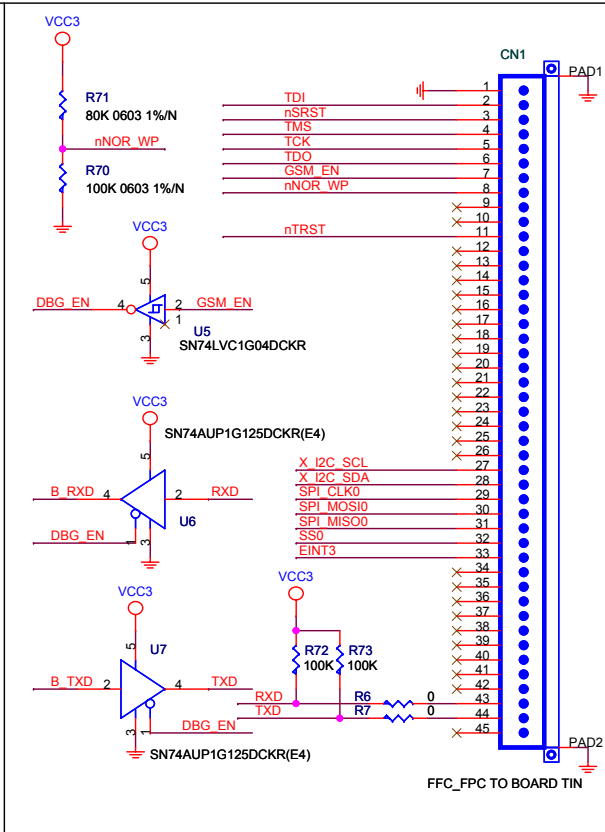
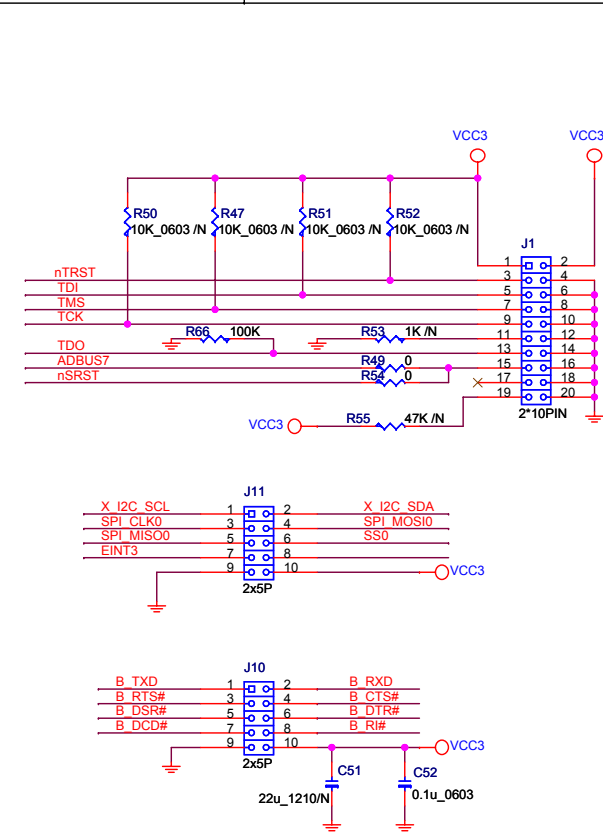
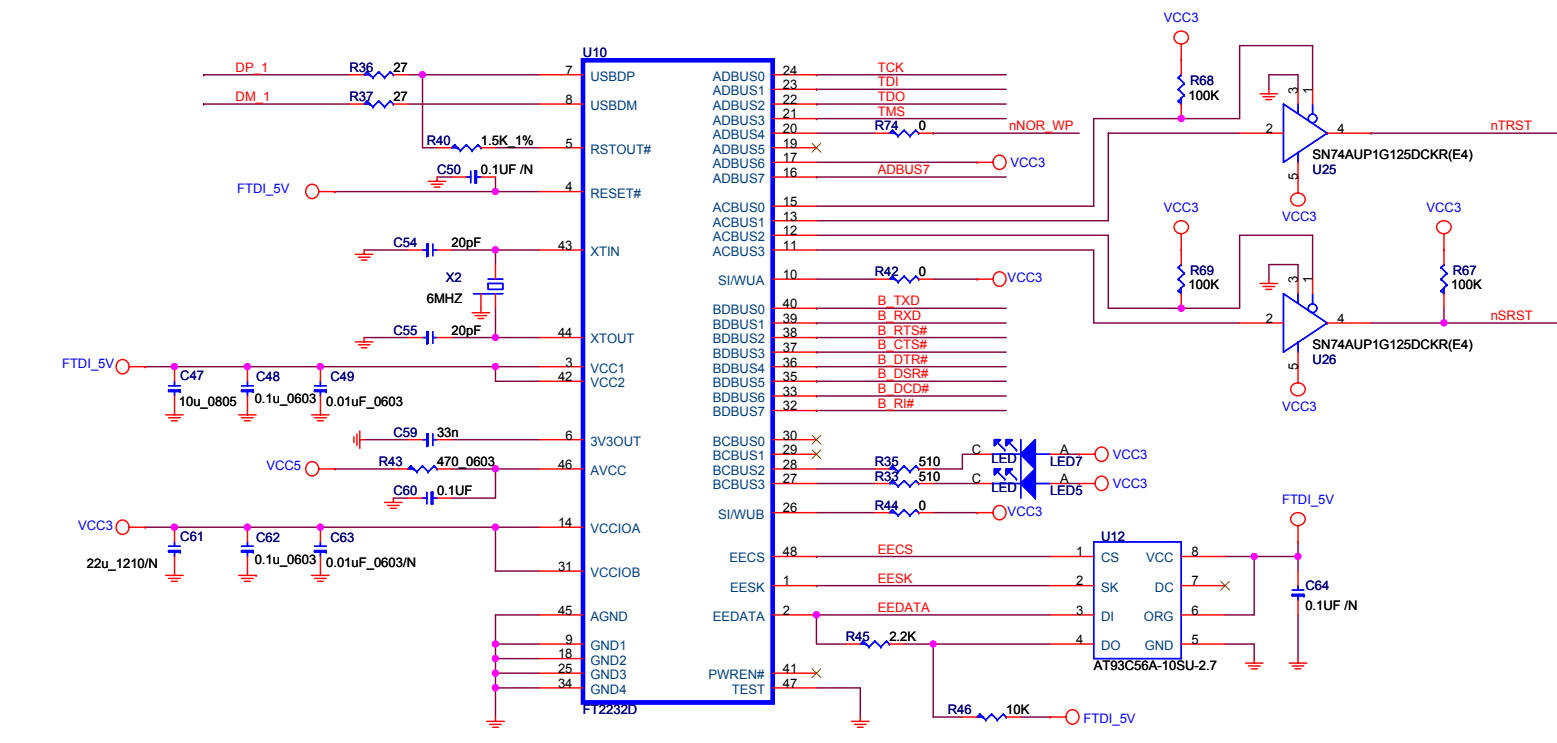
BusPower USB HUB



OpenMoKo Reset



USB To JTAG & UART



Title	<Title> OPEN MOKO Debug Board	
Size	Document Number	Rev
C	<Doc>	1.0
Date:	Thursday, August 02, 2007	Sheet 1 of 1